

www.toolarms.com



Ergonomic Tool Arms, LLC.

Model # **PA506-SW**

**STANDARD DUTY WITH SWIVEL for
IN-LINE, AIR SCREWDRIVERS**

Swivel enables tightening of fasteners at any angle while eliminating torque reaction and making tool weightless.



AIR TOOL NOT INCLUDED

Torque Range ; 0-180 in-lbs (20 Nm)
Tool Weight; 0-6 lbs (2.7 kg)
Max Vertical Reach; 34 ¾ inches (883 mm)
Min Vertical Reach; 11 ½ (292 mm)
Supply Hose; Braided Polyurethane 5/16" ID
Tool Connection; ¼" NPT

No other tool holder options available for this model

Shipping Weight; 24 lbs

Air Requirements; filtered, dry air 80 psi. min.

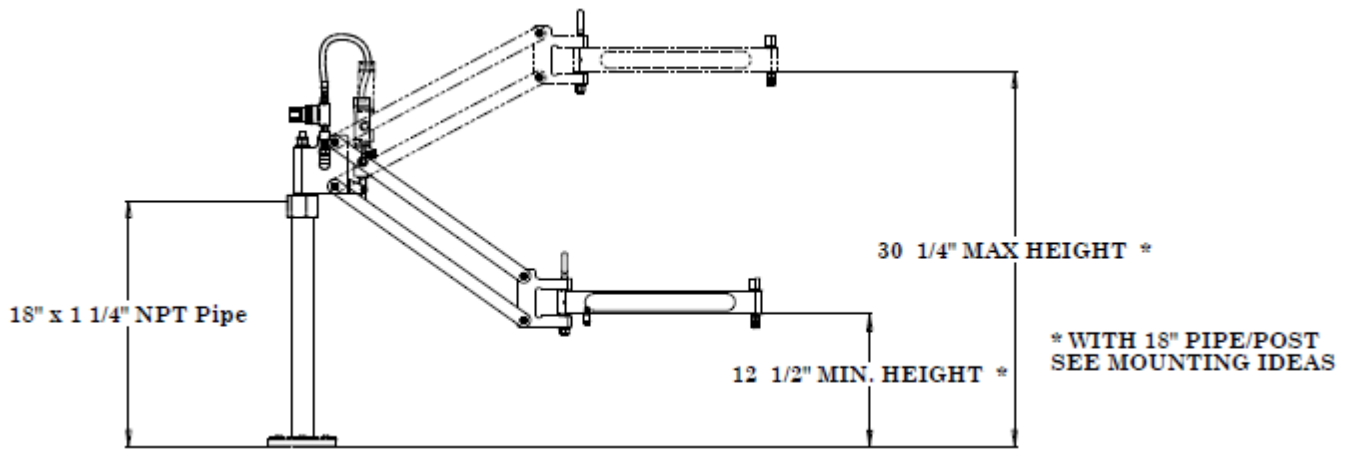
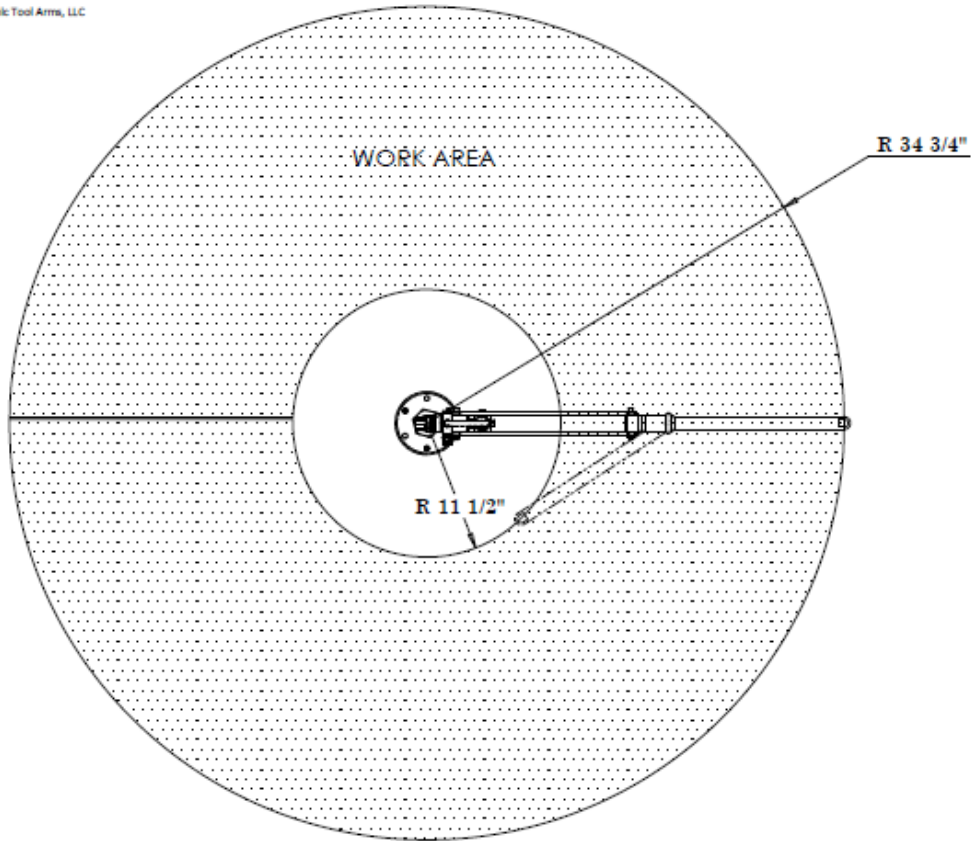
(OK to add lubricator ahead of PA506-SW if your air tool requires lubrication)

3 Year Limited Warranty – see website for details

***Simple, Clean Design – Very Rigid Mounting Post and Precisely Machined
Pivot Points = effortless positioning at the LOWEST COST.***

Work Area Dimensions PA506-SW

© 2010 Ergonomic Tool Arms, LLC



ETA Mounting System. Maximum and minimum dimensions listed on the diagrams above are based on the use of the 18" pipe nipple included with the PA506-SW tool arm. Our tool arm base components are machined with standard 1-¼ National Pipe Thread (npt). This makes a completely ridged mounting post while allowing inexpensive adaptability to different work locations. If you need to adjust the reach from the mounting base of the arm to your work area, it can be done simply by changing or adding to this 1-¼ npt pipe. The amount of area covered vertically and horizontally by the PA506-SW is fixed. But where that coverage begins and ends, in relationship to the place where you want to anchor the mounting base, can be easily changed with pieces of pipe and fittings such as elbows and/or tees. See **Mounting Ideas** on www.toolarms.com.



Doylestown, PA - USA
 855-TOOL ARM (855-866-5276)
 Email; etainfo@toolarms.com
www.toolarms.com

ETA tool arms are available through your Industrial Tool Distributor.

© 2010, Ergonomic Tool Arms, LLC

